

Subsea Bolt Tensioning Tools

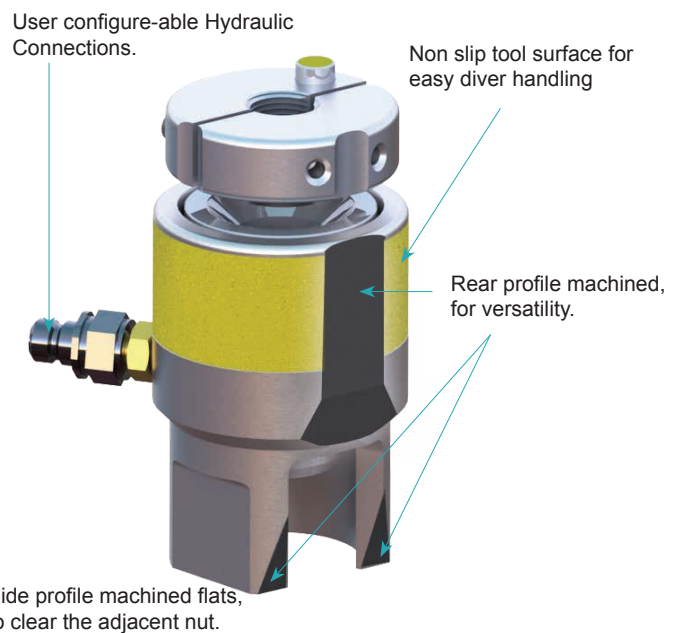
The COMPACT-8 range of subsea bolt tensioning tools from UK manufacturer and global supplier, Tentec, brings a new generation of bolting solutions.

Comprising just 8 bolt tensioning tools, the COMPACT-8 series is capable of tensioning most standard flanges including most of the newer Vector SPO* Compact flanges. The COMPACT-8 series is made from high strength stainless steel which greatly reduces maintenance work to a minimum after subsea use.

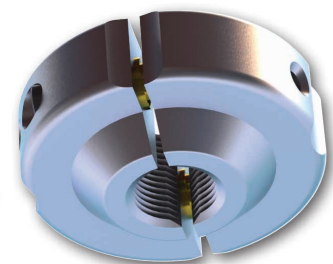
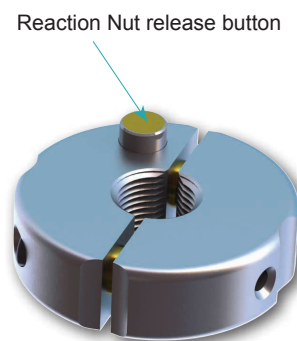
Tentec subsea bolt tensioning tools have been used in the UK North sea since 1991 and have a proven reliability and safety record.

Main Features and Benefits

- High strength Stainless Steel material, minimises maintenance work after usage.
- 30mm ram stroke available.
- Compact size for maximum usability on Vector* SPO Compact flanges.
- Quick fitting split reaction nuts available on all models.
- High quality reliable seals. 1000's of pressure cycles.
- Uses industry standard quick connect couplings.
- Non slip tool surface for easy diver handling.
- Fitted with lifting straps for easy diver handling.
- Twin hydraulic connections for simple hose assembly.



Side profile machined flats, to clear the adjacent nut.



Reaction Nut release button

Heavy Duty Split Reaction Nuts or Solid Reaction Nuts available.

8 Tensioners Capable of Tensioning over 400 Standard Flanges.

SPO* Vector - Compact Flanges

ANSI B16.5 Flanges

ANSI B16.47 Flanges - Series A

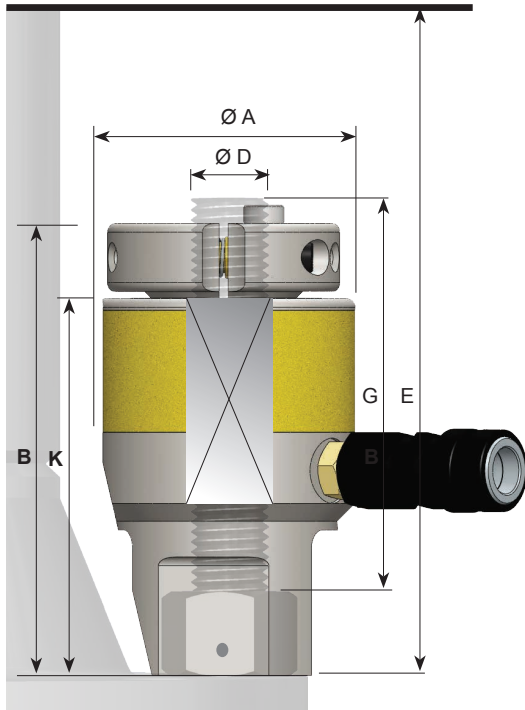
MSS-SP44 Flanges

API-6A Flanges

API-17D Flanges

Split Reaction Nut

The Compact-8 range of subsea Bolt Tensioning tools can be supplied with quick acting Split Reaction Nuts. Simply mount the tensioning tool over the stud to be tensioned, slide the open reaction nut over the bolt and snap the reaction nut halves together for rapid and reliable assembly. The rapid speed of fit ensures the most efficient use of expensive diver time.



Technical Specifications

Technical Specification

Maximum Working Pressure = 1500bar : 21750psi
 Maximum ram stroke= (Tools 01 to 07): 30mm : 1.181"
 Maximum ram stroke= (Tool 00): 20mm : 0.787"

	Bolt Dia	Thread Pitch	Tool Dia	Effective Side Diameter	Tool Height	Radial Dim'n	Max Initial Bolt Load	Hydraulic Area	Ram Stroke	Extra Stud Length (Inc 3xPitches extra)	Headroom Dimension	Across Flats	Radial Dim'n	Dim'n
	D		A	F	B	C				G	E	H	J	K
	Inch		mm	mm	mm	mm	kN	mm ²	mm	mm	mm	mm	mm	mm
C8-00	0.75	UNC	66.0	66.0	123	20	190.21	1268.420	20	113.5	214.5	50.2	31.6	97.00
	0.875	UNC	66.0	66.0	123	20	190.21	1268.420	20	110.3	214.5	50.2	31.6	97.00
C8-01	1	8-UN	87.0	87.0	153	25	328.87	2193.020	30	137.1	270.5	65	41.5	127.00
	1.125	8-UN	87.0	87.0	153	25	328.87	2193.020	30	134.0	270.5	65	41.5	127.00
C8-02	1.25	8-UN	104.5	104.5	165	28	514.84	3433.170	30	142.8	286.5	82.5	50.15	135.00
	1.375	8-UN	104.5	104.5	165	28	514.84	3433.170	30	139.6	286.5	82.5	50.15	135.00
C8-03	1.5	8-UN	123.1	118.3	184.5	35	746.70	4979.300	30	155.9	321.5	90	59.1	150.50
	1.625	8-UN	123.1	118.3	184.5	35	746.70	4979.300	30	152.8	321.5	90	59.1	150.50
C8-04	1.75	8-UN	150.0	143.5	210.8	48	1177.31	7850.800	30	175.8	365.0	110	71.7	169.75
	1.875	8-UN	150.0	143.5	210.8	48	1177.31	7850.800	30	172.7	365.0	110	71.7	169.75
	2	8-UN	150.0	143.5	210.8	48	1177.31	7850.800	30	169.5	365.0	110	71.7	169.75
C8-05	2.25	8-UN	182.5	174.3	235.8	59	1904.04	12696.940	30	188.1	393.0	136	87.1	179.75
	2.5	8-UN	182.5	174.3	235.8	59	1904.04	12696.940	30	181.8	393.0	136	87.1	179.75
C8-06	2.75	8-UN	210.0	210.0	259.8	65	2542.11	16951.840	30	199.4	432.0	163.5	105	199.75
	3	8-UN	210.0	210.0	259.8	65	2542.11	16951.840	30	193.1	432.0	163.5	105	199.75
C8-07	3.25	8-UN	258.1	258.1	302.8	85	4059.32	27069.190	30	229.8	492.6	204	129	232.25
	3.5	8-UN	258.1	258.1	302.8	85	4059.32	27069.190	30	223.4	492.6	204	129	232.25
	3.75	8-UN	258.1	258.1	302.8	85	4059.32	27069.190	30	217.1	492.6	204	129	232.25

C8-00	20	2.5	66.0	66.0	123	20	190.21	1268.420	20	110.5	212.5	50.2	31.6	97.00
	22	2.5	66.0	66.0	123	20	190.21	1268.420	20	108.5	212.5	50.2	31.6	97.00
C8-01	24	3	87.0	87.0	153	25	328.87	2193.020	30	138	270	65	41.5	127.00
	27	3	87.0	87.0	153	25	328.87	2193.020	30	135	270	65	41.5	127.00
	30	3.5	87.0	87.0	153	25	328.87	2193.020	30	133.5	271.5	65	41.5	127.00
C8-02	33	3.5	104.5	104.5	165	28	514.84	3433.170	30	142.5	287.5	82.5	50.15	135.00
	36	4	104.5	104.5	165	28	514.84	3433.170	30	141	289	82.5	50.15	135.00
C8-03	39	4	123.1	118.3	185	35	746.70	4979.300	30	158	324.5	90	59.1	150.50
	42	4.5	123.1	118.3	185	35	746.70	4979.300	30	156.5	326	90	59.1	150.50
C8-04	45	4.5	150.0	143.5	211	48	1177.31	7850.800	30	179.5	369.25	110	71.7	169.75
	48	5	150.0	143.5	211	48	1177.31	7850.800	30	178	370.75	110	71.7	169.75
	52	5	150.0	143.5	211	48	1177.31	7850.800	30	174	370.75	110	71.7	169.75
C8-05	56	5.5	182.5	174.3	236	59	1904.04	12696.940	30	196.5	400.25	136	87.1	179.75
	60	5.5	182.5	174.3	236	59	1904.04	12696.940	30	192.5	400.25	136	87.1	179.75
	64	6	182.5	174.3	236	59	1904.04	12696.940	30	190	401.75	136	87.1	179.75
C8-06	68	6	210.0	210.0	260	65	2542.11	16951.840	30	210	440.75	163.5	105	199.75
	72	6	210.0	210.0	260	65	2542.11	16951.840	30	206	440.75	163.5	105	199.75
	76	6	210.0	210.0	260	65	2542.11	16951.840	30	202	440.75	163.5	105	199.75
C8-07	80	6	258.1	258.1	303	85	4059.32	27069.190	30	241	501.25	204	129	232.25
	85	6	258.1	258.1	303	85	4059.32	27069.190	30	236	501.25	204	129	232.25
	90	6	258.1	258.1	303	85	4059.32	27069.190	30	231	501.25	204	129	232.25
	95	6	258.1	258.1	303	85	4059.32	27069.190	30	226	501.25	204	129	232.25