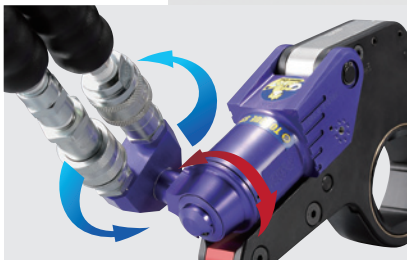




HYDRAULIC TORQUE WRENCH LOW PROFILE (RXS SERIES)

THE ESSENTIAL TOOL FOR LIMITED CLEARANCE APPLICATIONS

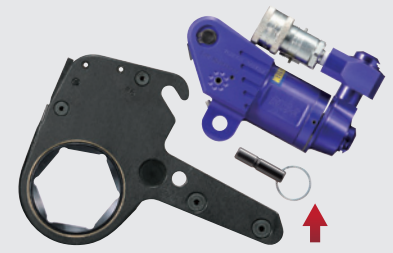
- 6 cylinder models from 329 to 42,005 Nm
- Uniswivel design for free movement
- Use this tool on API flanges and other applications with low profile needs
- Versatile for use with hex, 12-point, castle-nut sockets, etc



360°x180° Uniswivel



Ultra slim radius

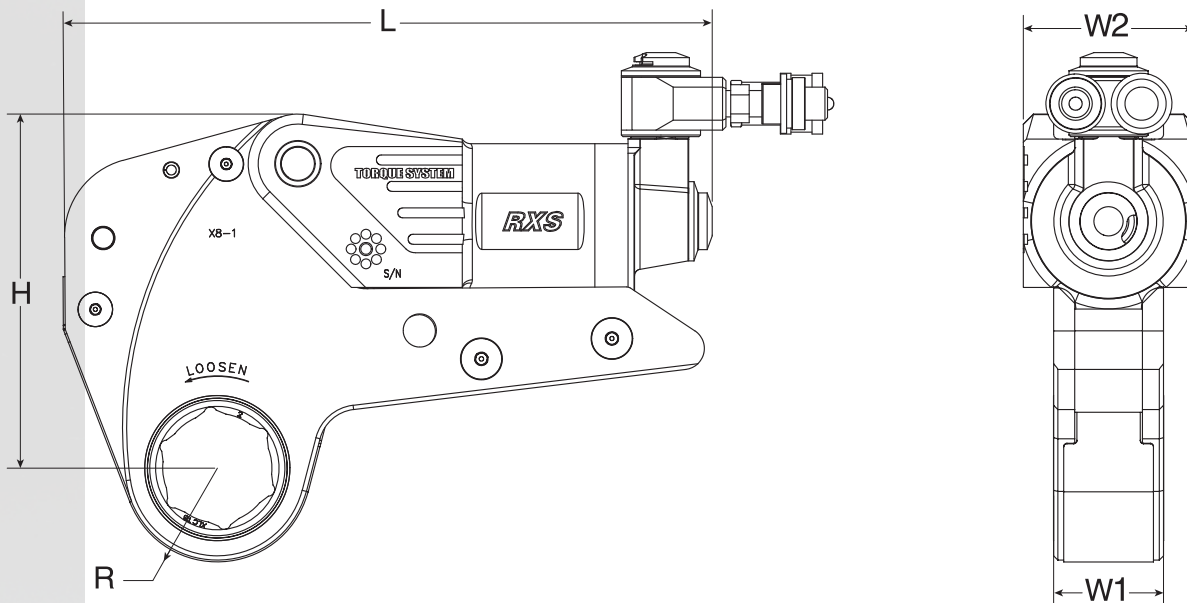


Fast switch design

Product introductions



Product Sheet



Specification

MODEL	HEX RANGE (mm)	OUTPUT (MIN)	OUTPUT (MAX)	L	H	W1	W2	RADIUS R	WEIGHT
		Nm							
RXS-2	19-60	329	2,287	186.2	102.1	32.0	49.3	25.4-50.0	0.93
RXS-4	25-65	786	5,226	256.0	136.1	42.7	65.5	33.1-58.5	1.9
RXS-8	50-80	1,549	11,049	306.8	169.9	52.9	82.0	44.2-72.9	3.3
RXS-14	65-115	2,725	18,165	359.2	204.2	63.5	92.2	58.5-87.4	5.1
RXS-18	75-145	3,628	24,191	366.0	230.6	71.6	111.3	64.5-111.5	6.8
RXS-30	80-155	6,207	42,005	426.8	272.0	84.6	131.2	73.0-120.0	10.8

RXS Radius Dimension

MODEL	RXS-2	RXS-4	RXS-8	RXS-14	RXS-18	RXS-30
HEX SIZE	R	R	R	R	R	R
AF 30	25.4	—	—	—	—	—
AF 32	27.5	33.1	—	—	—	—
AF 36	30.0	33.1	—	—	—	—
AF 41	32.8	35.9	—	—	—	—
AF 46	35.6	38.6	44.2	—	—	—
AF 50	38.5	41.5	44.2	—	—	—
AF 55	41.2	44.2	47.0	—	—	—
AF 60	44.0	47.0	49.8	—	—	—
AF 65	46.8	49.8	52.6	58.5	—	—
AF 70	50.0	52.6	55.4	58.5	—	—
AF 75	—	55.4	58.5	61.2	64.5	—
AF 80	—	58.5	61.2	64.3	67.3	—
AF 85	—	—	64.3	67.4	73.2	73.0

MODEL	RXS-2	RXS-4	RXS-8	RXS-14	RXS-18	RXS-30
HEX SIZE	R	R	R	R	R	R
AF 90	—	—	67.1	69.9	73.2	76.0
AF 95	—	—	70.1	73.2	79.0	81.5
AF 100	—	—	72.9	75.7	79.0	81.5
AF 105	—	—	—	78.8	85.0	87.4
AF 110	—	—	—	81.6	85.0	87.4
AF 115	—	—	—	87.4	90.5	93.3
AF 120	—	—	—	87.4	90.5	93.3
AF 125	—	—	—	—	96.1	98.9
AF 130	—	—	—	—	96.1	98.9
AF 135	—	—	—	—	100.4	102.9
AF 140	—	—	—	—	106.0	108.5
AF 145	—	—	—	—	106.0	108.5
AF 155	—	—	—	—	111.5	114.1
AF 165	—	—	—	—	—	120.0

Option

ACCESSORIES

- Hex reducer inserts
- Stack & castelated sockets
- Hex to square drive adaptor
- Inline reaction arm
- Low point reaction paddle

