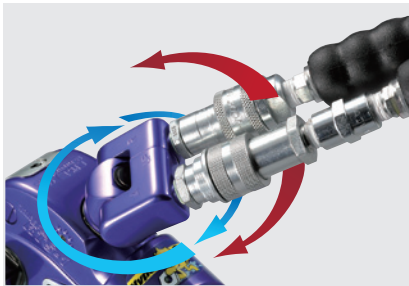


HYDRAULIC TORQUE WRENCH

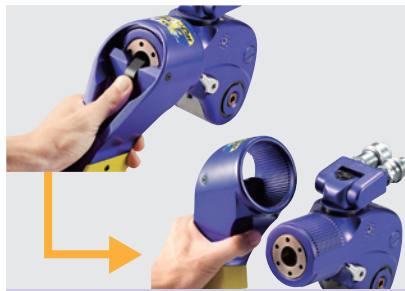
SQUARE DRIVE (RTS SERIES)

THE PROFESSIONAL TOOL FOR ACCURATE MAKE UP APPLICATIONS

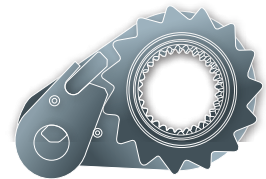
- 8 square drives models from 167 to 50,293 Nm
- From 3/4" to 2 1/2" square drives
- Uniswivel design for free movement
- Versatile, compact and ergonomic design
- 360 degree rotatable reaction arm for perfect fit on many jobs



360°x 180° Uniswivel

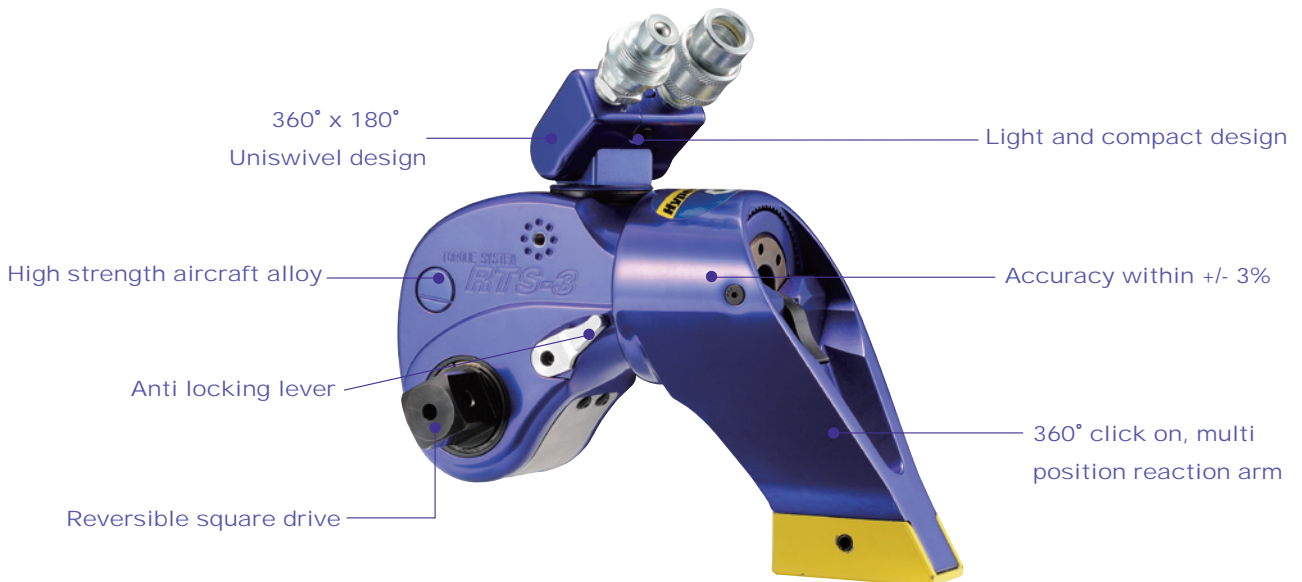


360° reaction arm

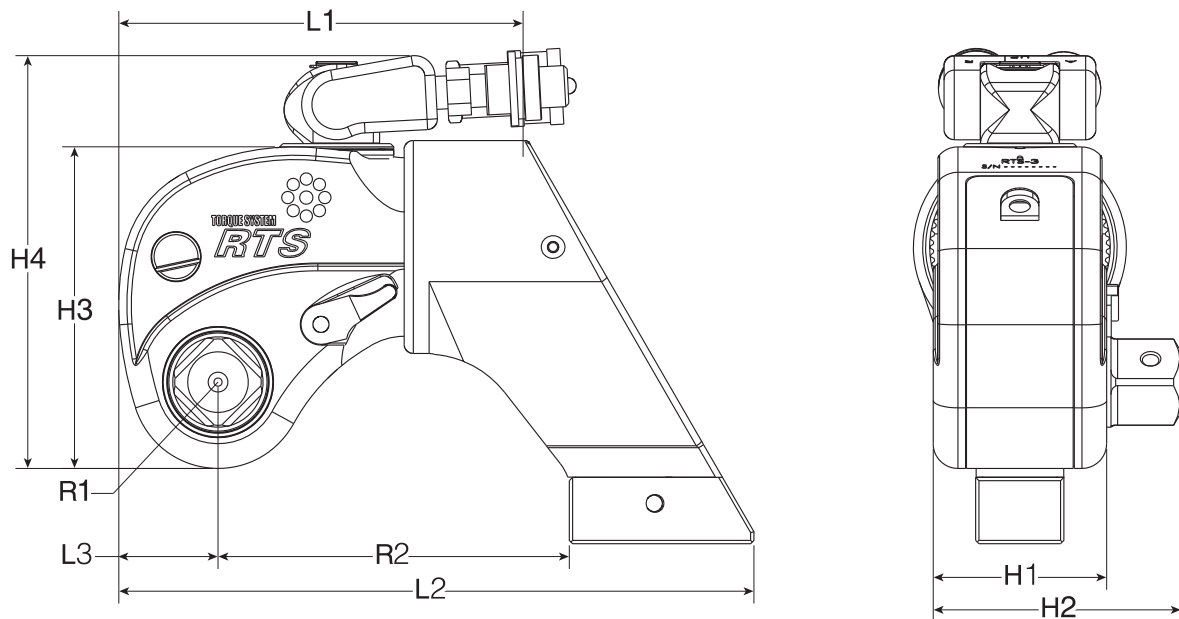


Reaction pawl design

Product introductions



Product Sheet



Specification

| MODEL | SQ DR Size | OUTPUT (MIN) | OUTPUT (MAX) | L1 | L2 | L3 | H1 | H2 | H3 | H4 | R1 | R2 | WEIGHT |
|---------|------------|--------------|--------------|-------|-------|------|-------|-------|-------|-------|------|-------|--------|
| | | Nm | | mm | | | | | | | | | kg |
| RTS-0.7 | 3/4 | 167 | 1,114 | 100.6 | 151.9 | 23.6 | 41.2 | 64.3 | 76.2 | 108.0 | 20.6 | 84.3 | 1.2 |
| RTS-1 | 3/4 | 273 | 1,817 | 123.9 | 186.2 | 28.7 | 50.0 | 72.4 | 93.0 | 124.5 | 25.0 | 104.7 | 1.8 |
| RTS-3 | 1 | 657 | 4,379 | 161.0 | 243.8 | 38.4 | 66.9 | 96.8 | 123.9 | 155.5 | 33.3 | 135.1 | 3.8 |
| RTS-5 | 1-1/2 | 1,137 | 7,558 | 193.3 | 292.6 | 46.0 | 80.3 | 125.0 | 148.6 | 183.4 | 39.9 | 162.6 | 6.5 |
| RTS-10 | 1-1/2 | 2,343 | 15,617 | 241.6 | 365.3 | 57.4 | 100.3 | 142.8 | 185.9 | 223.5 | 49.8 | 202.4 | 11.3 |
| RTS-15 | 2-1/2 | 3,238 | 21,584 | 268.1 | 388.3 | 63.6 | 111.1 | 177.8 | 204.7 | 245.6 | 55.4 | 219.2 | 16.4 |
| RTS-20 | 2-1/2 | 4,018 | 26,787 | 289.8 | 438.7 | 68.8 | 120.1 | 180.3 | 223.0 | 260.1 | 59.9 | 243.3 | 19.7 |
| RTS-35 | 2-1/2 | 7,544 | 50,293 | 356.3 | 539.2 | 84.6 | 147.8 | 211.3 | 247.1 | 313.9 | 73.7 | 298.2 | 35.2 |

Option

ACCESSORIES

- Impact sockets
- Allen hex drive adaptor
- Extended reaction tube
- Custom reaction arm
- Safety backup wrench



Hydraulic Power Pack



Calibrated Pressure Gauge

