

RAYTORC

HYDRAULIC TORQUE WRENCH LOW PROFILE

油圧トルクレンチ LOW シリーズ

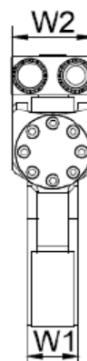
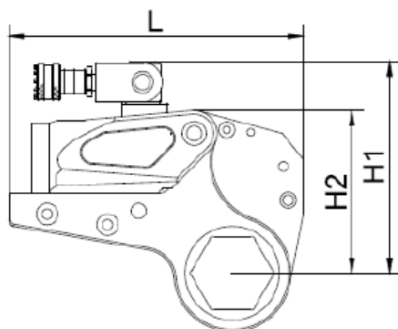
Product Introductions

The LOW-Series low profile hydraulic hexagon torque wrenches are an essential tool for limited clearance applications.

The versatile LOW-Series torque wrenches support an extensive range of interchangeable hexagon ratchet cassettes that deliver a torque range of 232 to 44,593 Newton meters (169 to 32,396 ft/lbs).



Product Sheet



Specification

Model	Range of Torque (Nm) @ 700 bar	Hexagon Size Range (mm)	L (mm)	H1 (mm)	H2 (mm)	W1 (mm)	W2 (mm)	Weight Power Head (kg)	Weight Ratchet Link (kg)
2LOW	232-2,328	19-55	197	126	102	32	51	1.0	1.6
	241-2,414	60	197	129	105	32	51	1.0	1.7
4LOW	585-5,858	34-65	245	177	136	42	66	2.0	4.4
	647-6,474	70-80	246	187	146	42	66	2.0	4.6
8LOW	1,094-10,941	41-95	300	207	169	53	83	3.3	8.0
	1,177-11,774	100-105	301	216	178	53	83	3.3	8.4
14LOW	1,852-18,521	50-117	361	239	204	64	99	5.5	11.6
30LOW	4,188-41,882	85-155	430	303	272	85	131	11.4	29.0
	4,459-44,593	160-175	441	315	285	85	131	11.4	30.0

Optional



Reaction Extensions / Paddles



Reducer Inserts



Safety Handle



Power Unit