

RAYTORC

FSW FLANGE SPREADER
FSWフランジスプレッター



Product Introductions



14 Ton Mechanical Flange Spreader

- Require access gap of only 6mm
- Practical, portable and lightweight
- Removable handle for improved access
- No finger pinch-points
- Increased step depth on upper steps



24 Ton Hydraulic Flange Spreader

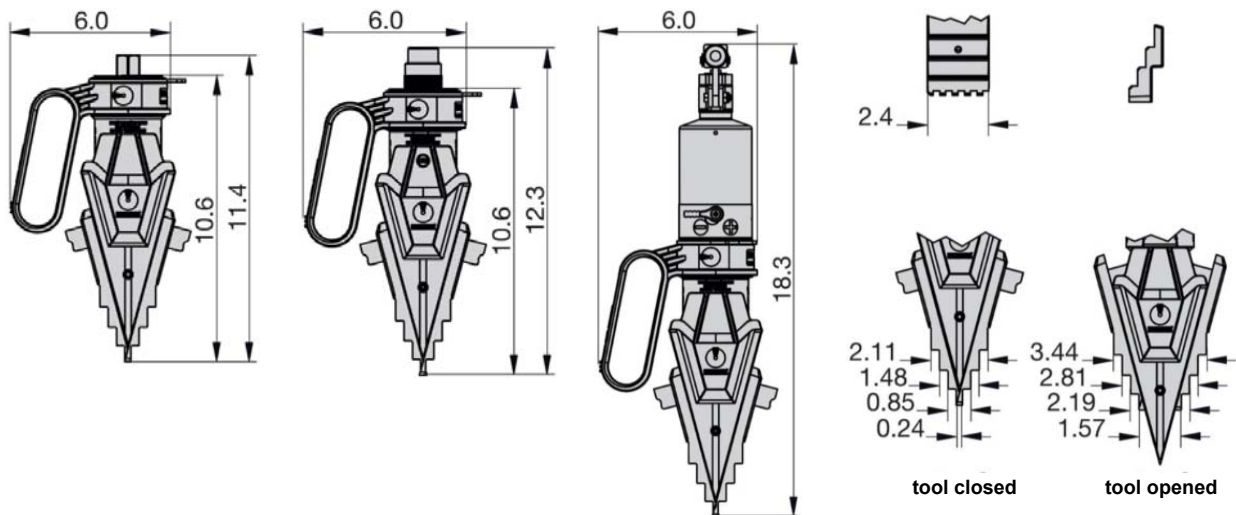
- Require access gap of only 6mm
- Working pressure: 700 bar
- Increased step depth on upper steps
- Rapid disassembly and assembly



24 Ton Integral Hydraulic Flange Spreader

- Require access gap of only 6mm
- Working pressure: 700 bar
- Practical, portable and lightweight
- No need extra hose and pump
- Rapid disassembly and assembly

Product Sheet



Specification

Model	Capacity (ton)	Tip Clearance (mm)	Max Spread (mm)	Type	Weight (kg)
FSW14TM	14	6	103.5	Mechanical	13
FSW25TE	24	6	103.5	Hydraulic	15
FSW25TI	24	6	103.5	Hydraulic	14