

TORQUE WRENCH

▶ Adjustable Torque Wrench



Spare Parts



Part No.	Square Drive	Range	L (mm)	Weight (kg)	Part No.	Square Drive	Range	L (mm)	Weight (kg)
PTW-N1430	1/4"	6-30Nm	350	0.74	PTW-N14250F	1/4"	40-250in.lb	350	0.74
PTW-N3830	3/8"	6-30Nm	350	0.74	PTW-N38250F	3/8"	40-250in.lb	350	0.74
PTW-N38110	3/8"	19-110Nm	385	0.96	PTW-N38080F	3/8"	15-80ft.lb	385	0.96
PTW-N12110	1/2"	19-110Nm	385	0.96	PTW-N12080F	1/2"	15-80ft.lb	385	0.96
PTW-N12210	1/2"	40-210Nm	535	1.70	PTW-N12150F	1/2"	30-150ft.lb	535	1.70
PTW-N12350	1/2"	70-350Nm	645	2.54	PTW-N12250F	1/2"	50-250ft.lb	645	2.54
PTW-N34500	3/4"	100-500Nm	865	3.66	PTW-N34300F	3/4"	50-300ft.lb	865	3.66
PTW-N34700	3/4"	140-700Nm	1092	5.94	PTW-N34600F	3/4"	100-600ft.lb	1092	5.94
PTW-N34980	3/4"	140-980Nm	1230	6.46	PTW-N34700F	3/4"	100-700ft.lb	1230	6.46
PTW-N1980	1"	140-980Nm	1230	6.46	PTW-N1700F	1"	100-700ft.lb	1230	6.46
PTW-N11500	1"	300-1500Nm	1700	11.58	PTW-N11000F	1"	200-1000ft.lb	1700	11.58

▶ Bi-Directional Torque Wrench



Spare Parts



Part No.	Square Drive	Range	L (mm)	Weight (kg)	Part No.	Square Drive	Range	L (mm)	Weight (kg)
PDT-N3880	3/8"	15-80Nm	383	0.74	PDT-3860F	3/8"	10-60ft.lb	383	0.74
PDT-N38110	3/8"	19-110Nm	383	0.96	PDT-3880F	3/8"	15-80ft.lb	383	0.96
PDT-N12210	1/2"	40-210Nm	535	1.70	PDT-12150F	1/2"	30-150ft.lb	535	1.70
PDT-N12350	1/2"	70-350Nm	645	2.54	PDT-12250F	1/2"	50-250ft.lb	645	2.54
PDT-N34500	3/4"	100-500Nm	865	3.66	PDT-34300F	3/4"	50-300ft.lb	865	3.66
PDT-N34700	3/4"	140-700Nm	1088	5.94	PDT-34600F	3/4"	100-600ft.lb	1088	5.94
PDT-N34980	3/4"	140-980Nm	1230	6.46	PDT-34700F	3/4"	100-700ft.lb	1230	6.46
PDT-N1980	1"	140-980Nm	1230	6.46	PDT-1700F	1"	100-700ft.lb	1230	6.46



WARNING!

Wear safety goggles at all time. (User and bystanders). Do not use chrome or handtools with power wrenches
Use only impact sockets and accessories with power impact wrenches

TORQUE WRENCH

► Bi-Directional Torque Wrench



Spare Parts



Part No.	Square Drive	Range	L (mm)	Weight (kg)
PPR-N1405	1/4"	1-5Nm	200	0.36
PPR-N1430	1/4"	6-30Nm	257	0.44
PPR-N38110	3/8"	20-110Nm	436	1.12
PPR-N12210	1/2"	40-210Nm	495	1.47
PPR-N12350	1/2"	70-350Nm	560	1.62
PPR-N34450	3/4"	75-450Nm	815	3.30
PPR-N34800	3/4"	100-800Nm	1000	7.08
PPR-N341500	3/4"	300-1500Nm	1700	11.80

Part No.	Square Drive	Range	L (mm)	Weight (kg)
PPR-1450I	1/4"	10-50in.lb	200	0.36
PPR-14200I	1/4"	40-200in.lb	257	0.44
PPR-38100F	3/8"	10-100ft.lb	436	1.12
PPR-12150F	1/2"	30-150ft.lb	495	1.47
PPR-12250F	1/2"	30-250ft.lb	560	1.62
PPR-34300F	3/4"	50-300ft.lb	815	3.30
PPR-34600F	3/4"	100-600ft.lb	1000	7.08
PPR-341000F	3/4"	200-1000ft.lb	1700	11.80

► Adjustable Torque Wrench With Flexible Head



Spare Parts



Part No.	Square Drive	Range	L (mm)	Weight (kg)
PHPR-N1405	1/4"	1-5Nm	215	0.38
PHPR-N1430	1/4"	6-30Nm	272	0.46
PHPR-N38110	3/8"	20-110Nm	460	1.20
PHPR-N12210	1/2"	40-210Nm	515	1.60
PHPR-N12350	1/2"	70-350Nm	583	1.77

Part No.	Square Drive	Range	L (mm)	Weight (kg)
PHPR-1450I	1/4"	10-50in.lb	215	0.38
PHPR-14200I	1/4"	40-200in.lb	272	0.46
PHPR-38100F	3/8"	10-100ft.lb	460	1.20
PHPR-12150F	1/2"	30-150ft.lb	515	1.60
PHPR-12250F	1/2"	30-250ft.lb	583	1.77

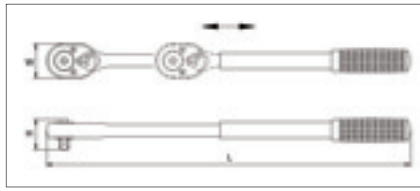


WARNING!

Wear safety goggles at all time. (User and bystanders). Do not use chrome or handtools with power wrenches
Use only impact sockets and accessories with power impact wrenches

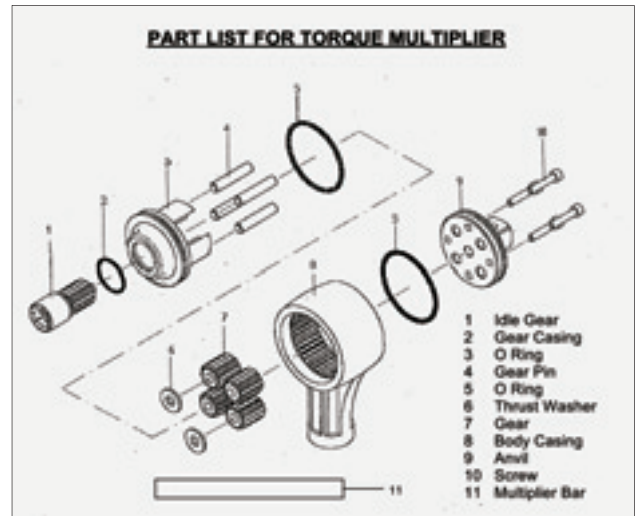
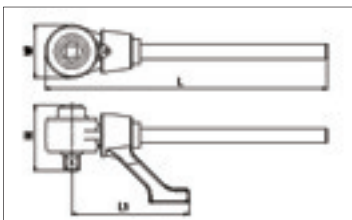
TORQUE WRENCH

▶ Extension Ratchet Handle



Part No.	Square Drive	Teeth	W mm	H mm	L mm	Weight kg
PEP-1224	1/2"	24	47	43	330/485	1.04
PEP-1248	1/2"	48	47	43	330/485	1.04

▶ Torque Multiplier



Part No.	Square Drive	L (mm)	L1 (mm)	W (mm)	H (mm)	Weight (kg)
PMT-F12M34	Input : 1/2" F Max : 500Nm / 365 Ft-Lb Output : 3/4" M Max : 1500Nm / 1100Ft-Lb Ratio : Output / Input = 3/1	420	157	73	84	3.09
PMT-F34M1	Input : 3/4" F Max : 1000Nm / 730 Ft-Lb Output : 1" M Max : 3000Nm / 2200Ft-Lb Ratio : Output / Input = 3/1	500	206	92	104	6.49

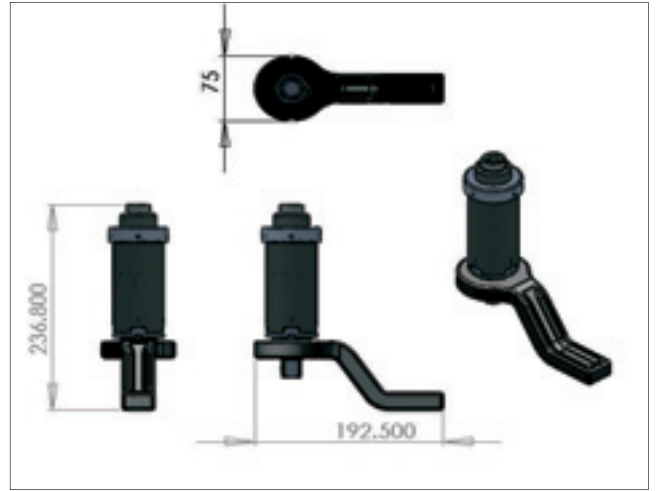


WARNING!

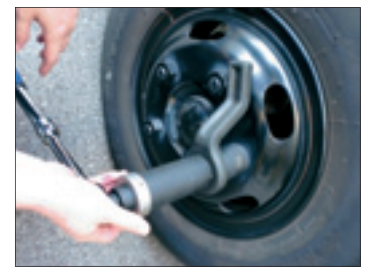
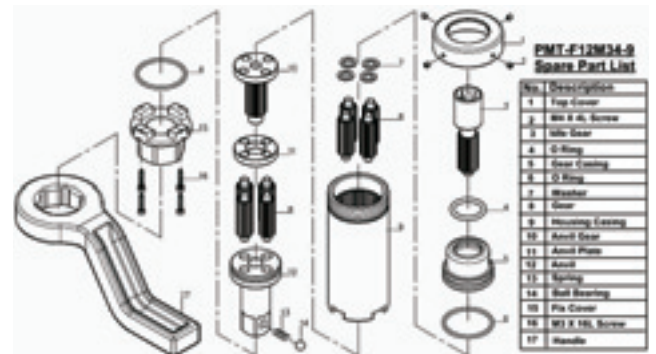
Wear safety goggles at all time. (User and bystanders). Do not use chrome or handtools with power wrenches
Use only impact sockets and accessories with power impact wrenches

TORQUE WRENCH

Torque Multiplier X 9



Part No.	Square Drive	Weight (kg)
PMT-F12M34-9	Input : 1/2" F Max : 160Nm / 120 Ft-Lb Output : 3/4" M Max : 1500Nm / 1100Ft-Lb Ratio : Output / Input = 9/1	4.00



WARNING!

Wear safety goggles at all time. (User and bystanders). Do not use chrome or handtools with power wrenches
Use only impact sockets and accessories with power impact wrenches

TORQUE WRENCH

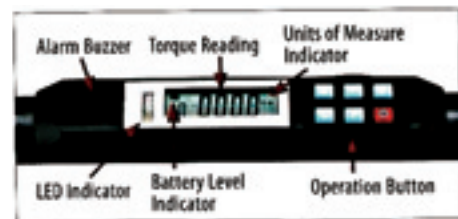
► Digital Adjustable Torque Wrench



Part No.	Square Drive	Range	L (mm)	Weight (kg)
PMET-38100N	3/8"	10-100Nm	440	0.95
PMET-12100NS	1/2"	10-100Nm	440	1.06
PMET-12200N	1/2"	20-200Nm	580	1.35

Specifications

- Accuracy : ± 1%
- Memory : 10 Readings
- Unit Selection : Nm, ft.lb, in.lb, kg-m
- Operating Temperature : -15°C ~ 55°C
- Storage Temperature : -40°C ~ 85°C
- Humidity : 0-90%
- Battery : 1.5V AA Batteries * 3 (Do not use low self-discharge battery)
- Warranty : 1 year in normal statement.



► Adjustable Torque Wrench (For Pipe)



Part No.	Square Drive	Range	L (mm)	Weight (kg)
PPIT-350N	2-1/2"	70-350Nm	825	3.70
PPIT-500N	2-1/2"	100-500Nm	920	4.30

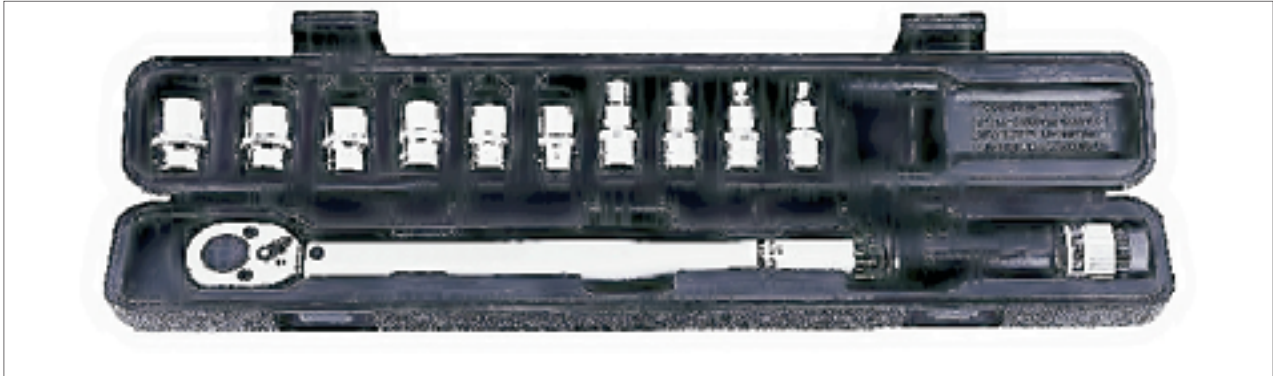


WARNING!

Wear safety goggles at all time. (User and bystanders). Do not use chrome or handtools with power wrenches
Use only impact sockets and accessories with power impact wrenches

TORQUE WRENCH

► Micrometer Torque Wrench Set (11 pcs/set)



Part No.	Square Drive	Range	Contents
PNTP-110N11	3/8"	19-110Nm	1 pce - 3/8"Dr Micrometer Torque Wrench 6 pcs - 3/8"Dr Sockets : 10,12,14,17,19,21 mm 4 pcs - 3/8"Dr Hex Socket Bit : 4,5,6,8mm
PNTP-80F11	3/8"	15-80ft.lb	1 pce - 3/8"Dr Micrometer Torque Wrench 6 pcs - 3/8"Dr Sockets : 10,12,14,17,19,21 mm 4 pcs - 3/8"Dr Hex Socket Bit : 4,5,6,8mm

► Interchangeable Torque Handle Set (8 pcs/set)



Part No.	Range	Contents
PATP-80N8	15-80 Nm	1 pce - Interchangeable Torque Handle - 14X18 1 pce - 1/2"Dr Ratchet Head - 14X18 6 pcs - Open End Head - 14X18 : 17,22,24,26,27,29mm
PATP-60F8	10-60ft.lb	1 pce - Interchangeable Torque Handle - 14 X 18 1 pce - 1/2"Dr Ratchet Head - 14 X 18 6 pcs - Open End Head -14X18 : 17,22,24,26,27,29mm



WARNING!

Wear safety goggles at all time. (User and bystanders). Do not use chrome or handtools with power wrenches
Use only impact sockets and accessories with power impact wrenches

TORQUE WRENCH

► Interchangeable Torque Handle Set (11 pcs/set)



Part No.	Range	Contents
PTW-N11NM	40-210Nm	1 pce - Interchangeable Torque Wrench - 14X18 1 pce - 1/2" Dr Ratchet - 14X18 9 pcs - Open End Heads - 14X18 : 13,14,15,17,19,22,24,27,30mm
PTW-N11FT	30-150ft.lb	1 pce - Interchangeable Torque Wrench - 14X18 1 pce - 1/2" Dr Ratchet - 14X18 9 pcs - Open End Heads - 14X18 : 13,14,15,17,19,22,24,27,30mm

► Interchangeable Torque Handle Set (8 pcs/set)



Part No.	Range	Contents
PATP-210N/8	40-210Nm	1 pce - Interchangeable Torque Handle - 14X18 7 pcs - Hook & Collet Head - 14X18 : OZ16,OZ25,OZ32,TG75,TG100, TG150, MLC12
PATP-150F/8	30-150ft.lb	1 pce - Interchangeable Torque Handle - 14X18 7 pcs - Hook & Collet Head - 14X18 : OZ16,OZ25,OZ32,TG75,TG100, TG150, MLC12



WARNING!

Wear safety goggles at all time. (User and bystanders). Do not use chrome or handtools with power wrenches
Use only impact sockets and accessories with power impact wrenches

TORQUE WRENCH

► Torque Handle Set (11 pcs/set)



Part No.	Range	Contents
PMIT15N11	3-15Nm	1 pce - Interchangeable Torque Handle 3-15Nm - 9X12 1 pce - 1/4"Dr Ratchet Handle - 9X12 9 pcs - Open End Head - 9X12 : 5.1 ,5.8 ,6.1 ,6.3 ,6.4 ,6.5 ,6.7 ,6.9mm, 6TP-Spline
PMIT-150I11	30-150in.lb	1 pce - Interchangeable Torque Handle 30-150in.lb - 9X12 1 pce - 1/4"Dr Ratchet Handle - 9X12 9 pcs - Open End Head - 9X12 : 5.1 ,5.8 ,6.1 ,6.3 ,6.4 ,6.5 ,6.7 ,6.9mm, 6TP-Spline

► Preset Torque Screwdriver



Part No.	Square Drive	Range	L (mm)	Weight (kg)
PFTD-3.5N	4mm	0.5-3.5Nm / 5-35in.lb	130	130



Part No.	Square Drive	Range	L (mm)	Weight (kg)
PFTD-L-5N	6.35mm	3.5-5Nm	150	158
PFTD-L-12N	6.35mm	6-12Nm	160	173



WARNING!

Wear safety goggles at all time. (User and bystanders). Do not use chrome or handtools with power wrenches
Use only impact sockets and accessories with power impact wrenches

TORQUE WRENCH

► Torque Screwdriver Set

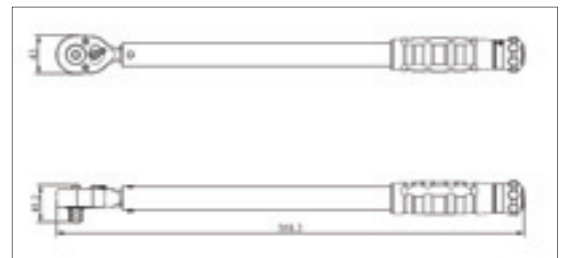


Part No.	Square Drive	Capacity	Contents
PTS-B14FT	1/4"	10-50in-lb	Star Bits : T-10, T-15, T-20, T-25, T-30, T-40 Hex Bits : 3, 4, 5, 6 Slotted Bits : 4, 6 Philips Bits : 0X2, 1X2, 2X2, 3X2 Bit Holder For 6.35mm use
PTS-B14NM	1/4"	1-5Nm	Star Bits : T-10, T-15, T-20, T-25, T-30, T-40 Hex Bits : 3, 4, 5, 6 Slotted Bits : 4, 6 Philips Bits : 0X2, 1X2, 2X2, 3X2 Bit Holder For 6.35mm use

► Preset 3-IN-1 Torque Wrench Set



Part No.	Square Drive	Preset Range	Weight (kg)
PSEK-108N	1/2"	85N, 103N, 108N	12.3



WARNING!

Wear safety goggles at all time. (User and bystanders). Do not use chrome or handtools with power wrenches
Use only impact sockets and accessories with power impact wrenches