



LITHIUM SERIES® Electric Torque Tool

The LITHIUM SERIES is the ultimate solution for portability and convenience on industrial bolting jobs. With the world's first 36-volt industrial battery system, these tools are ready for heavy industrial use. The lightweight design and dual speed capability make this system the go-to choice for industrial maintenance and production environments worldwide.

INDUSTRIAL-GRADE POWER



The LITHIUM SERIES was designed from the ground up using aerospace-grade materials to provide a compact design with industrial durability and power. The metal frame cut from a solid piece of aluminum alloy protects the tool from damage on industrial jobs. The 36-volt battery gives you the power to get through the toughest bolted joints.

DUAL SPEED BOLTING

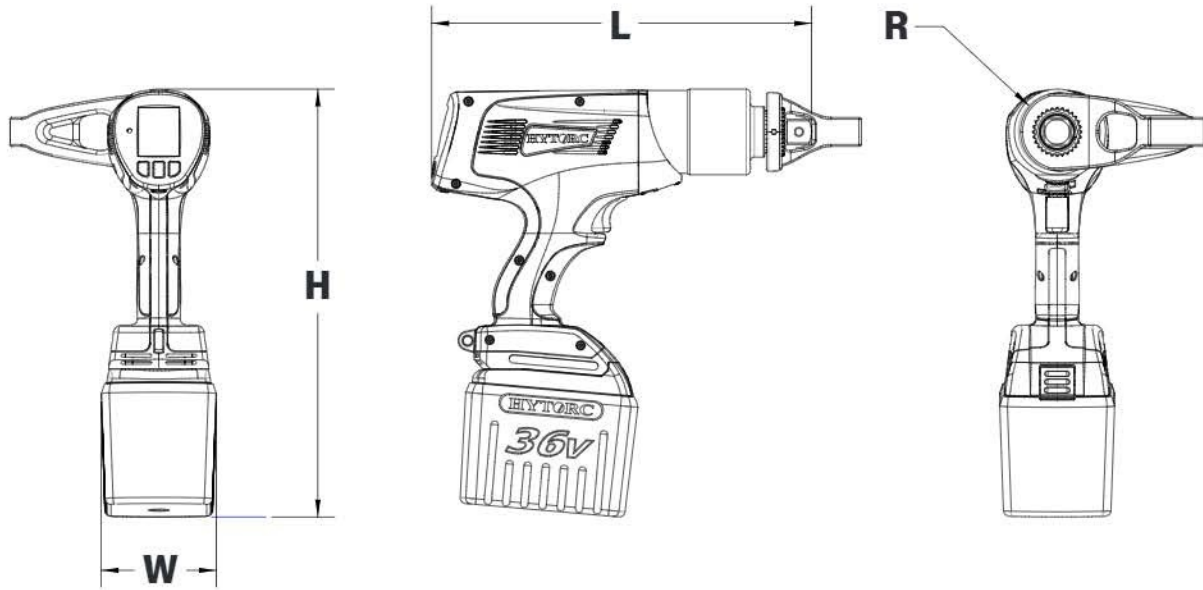


With a simple switch, the LITHIUM SERIES goes from high speed rundown mode to accurate final torque mode, eliminating the need for multiple systems on a job. The precision machined gearbox provides constant power without the vibration and noise found in impact guns. Adjust the power through the digital readout on the back of the gun to fine-tune the torque output for any job.

DATA RECORDING



The LITHIUM SERIES makes torque and angle bolting simpler than ever before. The desired torque can be entered in Imperial or Metric, followed by the desired angle. When the trigger is pulled the tool will automatically apply the torque, pause, and then apply the programmed angle. When complete, the light on the back of the tool will turn green and a short beep will be heard.



LEGEND: H = HEIGHT W = WIDTH L = LENGTH R = RADIUS

MODEL NUMBER	H	W	L	R	DRIVE	WEIGHT	TORQUE	
	IMPERIAL (in.)					lbs.	MIN (ft.-lbs.)	MAX (ft.-lbs.)
BTM - 0700	12.85	3.47	11.4	2.58	0.75	10.2	150	700
BTM - 1000	12.85	3.47	11.44	2.58	0.75	10.6	200	1,200
BTM - 2000	13.2	3.47	13	3.19	1	14.2	325	2,000
BTM - 3000	13.2	3.47	13.34	3.19	1	15.6	500	3,000
	METRIC (mm)					kg	MIN (Nm)	MAX (Nm)
BTM - 0700	326	88	282	66	19	4.6	203	949
BTM - 1000	326	88	291	66	19	4.8	271	1,627
BTM - 2000	335	88	291	81	25	6.4	441	2,712
BTM - 3000	335	88	338	81	25	7.1	678	4,068

The World's Most Trusted Industrial Bolting Systems

HYTORC

CAMLY