

THE HD-SERIES COLD CUTTING & BEVELING MACHINES ARE COMPACT, EASY TO USE AND VERSATILE

- Portable split frame technology
- Easier assembly and disassembly of frame halves.
- Easy to install the machine at any point along the pipelines.
- Fully enclosed bearing and drive gear system for operational safety.
- Low clearance design requires minimal space for setup.
- Cuts and bevels up to 2 inches wall thickness
- Designed to simultaneously cut and bevel pipe



Pipe Diameter Range
2" to 42"

Power Requirement
Air 3,200 Lpm @ 6.5 bar

LEVER TRIP STRIKER

Auto feeding function
Lever type trip actuation for safety

HIGH STRENGTH

Steel frame for rigid cutting

ENCLOSED BEARING & DRIVE

For operational safety

PNEUMATIC DRIVE MOTOR

Infinite motor positioning
1.4 kW

SPLIT FRAME DESIGN

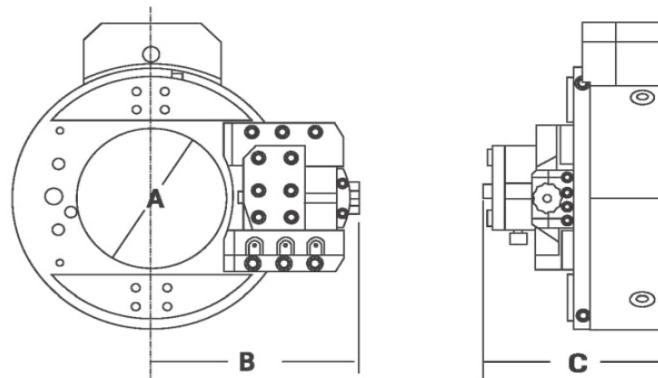
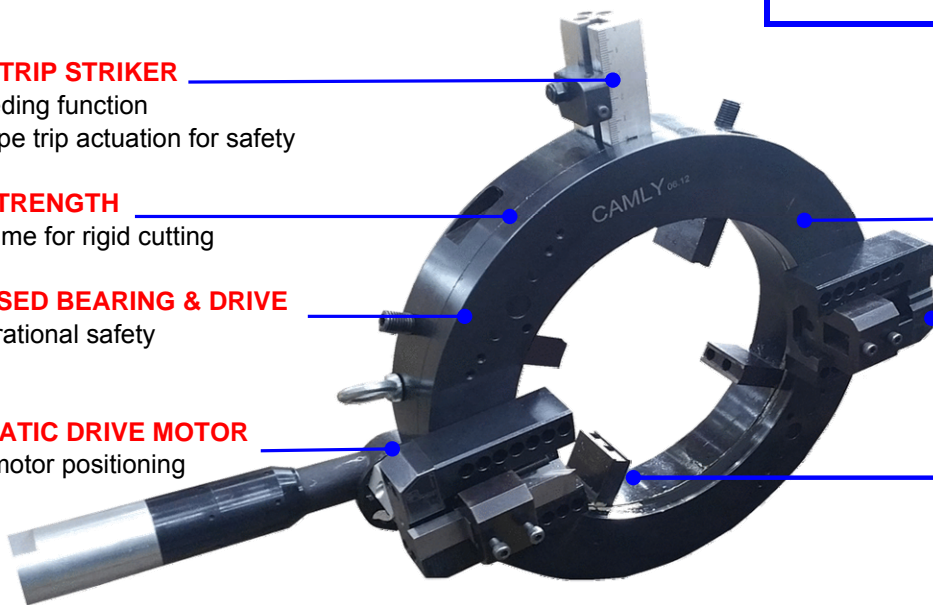
Easy installation on pipe

TOOL SLIDE

Part off & bevel cutters

MOUNTING JAW

Self-squaring clamping



Model	Pipe Diameter	Pipe Diameter	A	B	C	RPM
02.08	Φ50.8 – 219 mm	2" – 8"	227 mm	269 mm	175 mm	23
06.12	Φ168.3 – 323 mm	6" – 12"	333 mm	322 mm	175 mm	23
10.16	Φ254 – 406.4 mm	10" – 16"	420 mm	365 mm	175 mm	22
14.20	Φ355.6 – 508 mm	14" – 20"	516 mm	413 mm	175 mm	20
18.24	Φ457.2 – 609.6 mm	18" – 24"	620 mm	502 mm	175 mm	14
24.30	Φ609.6 – 762 mm	24" – 30"	770 mm	577 mm	175 mm	13
30.36	Φ762 – 914.4 mm	30" – 36"	930 mm	653 mm	175 mm	11
36.42	Φ914.4 – 1066.8 mm	36" – 42"	1080 mm	728 mm	221 mm	10