



LION GUN® Electric Torque Tool

The LION GUN is the world's first affordable precision bolting system with built-in data recording. Set your desired torque output on the LION GUN's display and pull the trigger to get precise, repeatable torque without excessive noise or vibration.

INDUSTRIAL-GRADE POWER



The LION GUN's industrial-strength gearbox is driven by a brushless DC motor connected to a non-impacting gearbox to deliver torque faster, smoother and more reliably than manual clicker wrenches, impact wrenches and other tightening tools.

UNMATCHED PORTABILITY

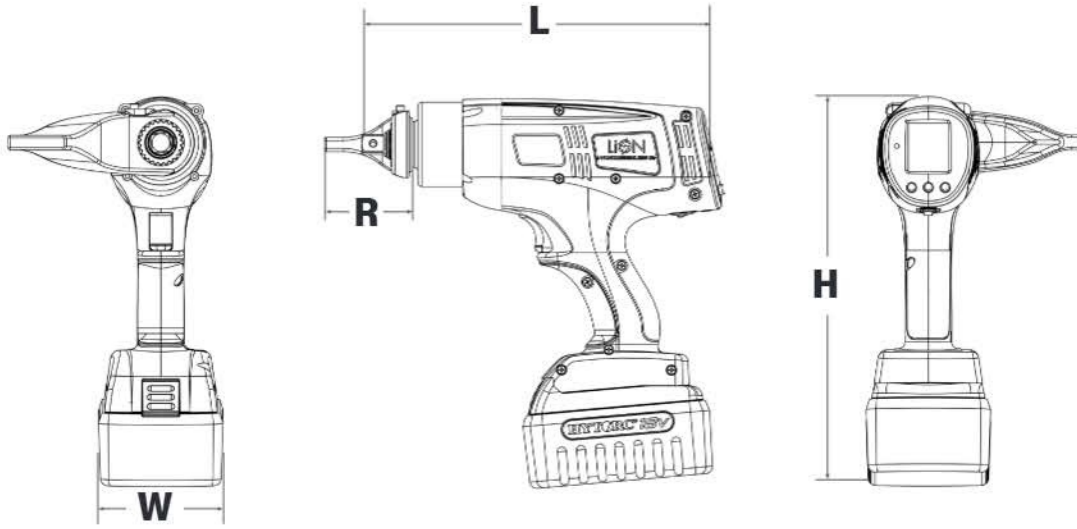


Through the use of aerospace-grade alloys, the LION GUN packs tremendous power without the weight. The 18-Volt lithium-ion battery provides long lasting operation with a quick recharge time to keep the job going.

DATA RECORDING



Built-in data recording capability allows the user to maintain a log of all completed bolting jobs. For improved quality control and accountability, the information can be saved to a PC or tablet to provide a permanent record of the work performed.



LEGEND: H = HEIGHT W = WIDTH L = LENGTH R = RADIUS

MODEL NUMBER	H	W	L	R	DRIVE	WEIGHT	TORQUE	
							MIN (ft.-lbs.)	MAX (ft.-lbs.)
LION - .25	10.83	3.46	10.16	2.35	0.50	7.30	25	250
LION - .7	10.83	3.46	10.80	2.38	0.75	7.81	150	700
							MIN (Nm)	MAX (Nm)
LION - .25	275	88	258	60	13	3.31	34	339
LION - .7	275	88	274	60	19	3.72	203	949

The World's Most Trusted Industrial Bolting Systems

HYTORC

CAT-LION-CS-20180327

CAMLY



Member of the IAF V/A on CMS